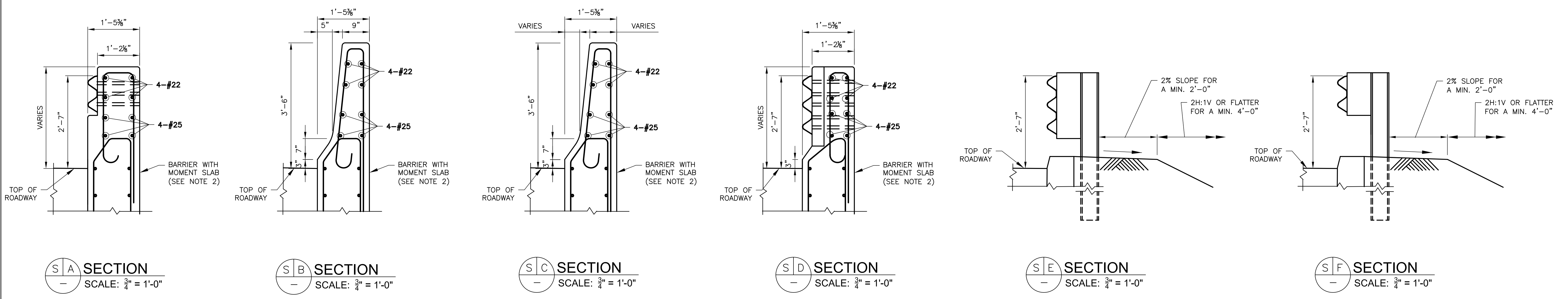


- NOTES:
1. THE GUIDE RAIL TO BARRIER ATTACHMENT DETAILS SHOWN ARE PER NJDOT'S STANDARD CONSTRUCTION DETAILS. REFER TO THE SITE DEVELOPMENT PLANS FOR THE LAYOUT AND LIMIT OF GUIDE RAIL AND ADDITIONAL DETAILS OF THE PROPOSED GUIDE RAIL.
  2. DETAIL OF THE MOMENT SLAB NOT INCLUDED HERE FOR CLARITY AND WILL BE DEVELOPED SEPARATELY.



REVISIONS			
NO.	DATE	DESCRIPTION	BY

**Michael Baker INTERNATIONAL**  
MICHAEL BAKER INTERNATIONAL  
300 AMERICAN METRO BLVD, STE 154  
HAMILTON, NJ 08619  
CERTIFICATE OF AUTHORIZATION  
No. 24GA27954700

*Nagnath Kasbekar*  
NAGNATH KASBEKAR  
PROFESSIONAL ENGINEER  
NEW JERSEY LICENSE NUMBER  
24GE03451700

**MARGOLIS WAREHOUSE DISTRIBUTION FACILITY**  
TOWNSHIP OF MANSFIELD  
BURLINGTON COUNTY, NEW JERSEY  
**BRIDGE OVER CRAFTS CREEK**  
GUIDE RAIL ATTACHMENT DETAIL

DATE: 7-28-2020  
DESIGNED BY: EAR  
SCALE: AS SHOWN

DRAWN BY: EAR  
CHECKED BY: ATA  
SHEET NO: 1 OF 1